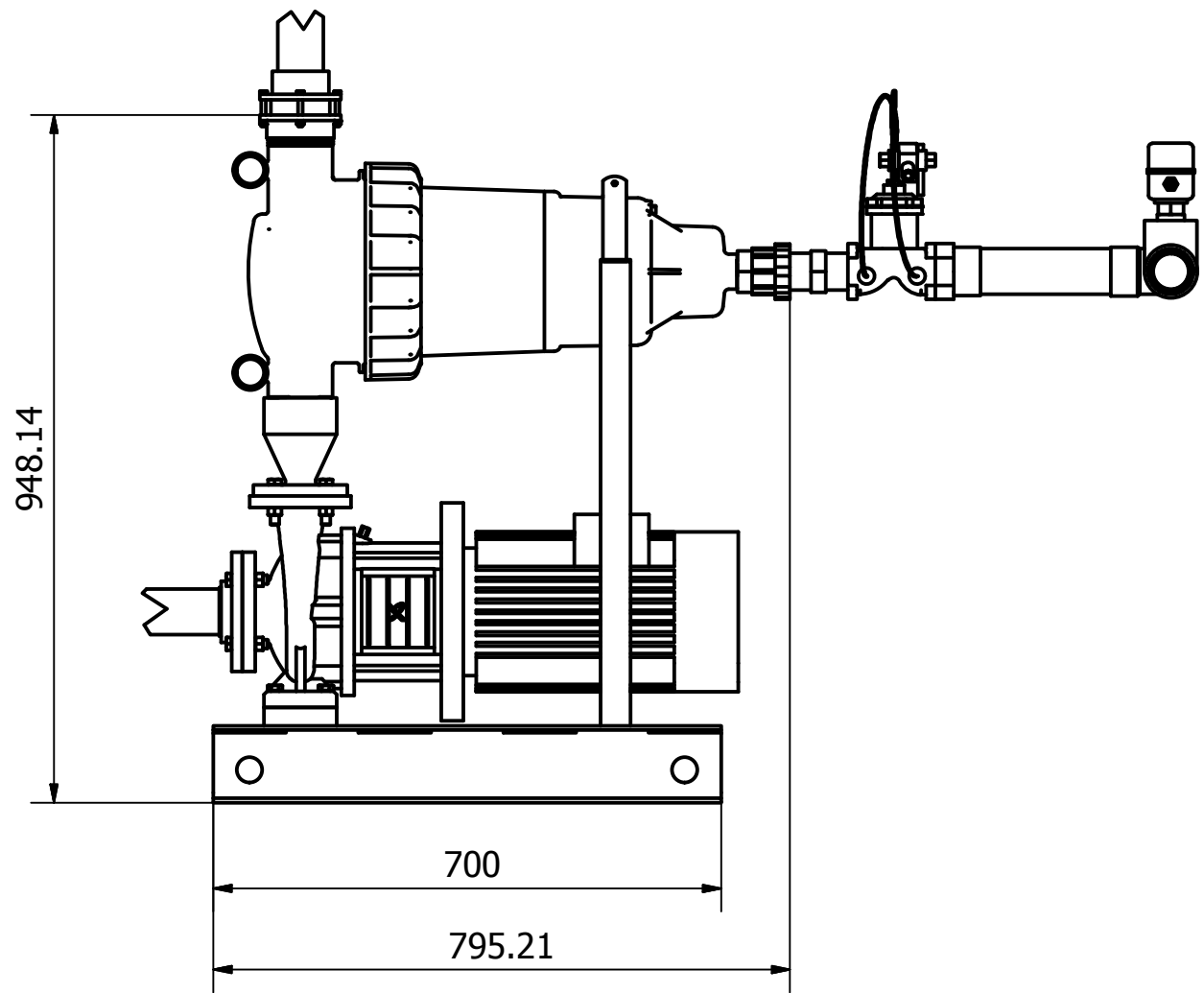
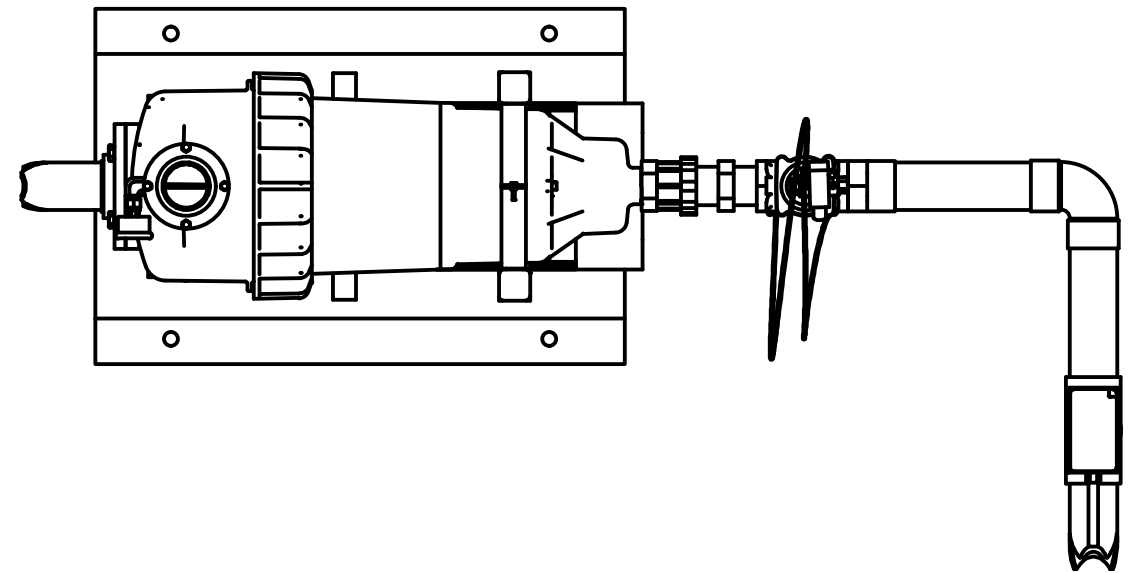


6 1 5 1 4 3 1 2 1 1

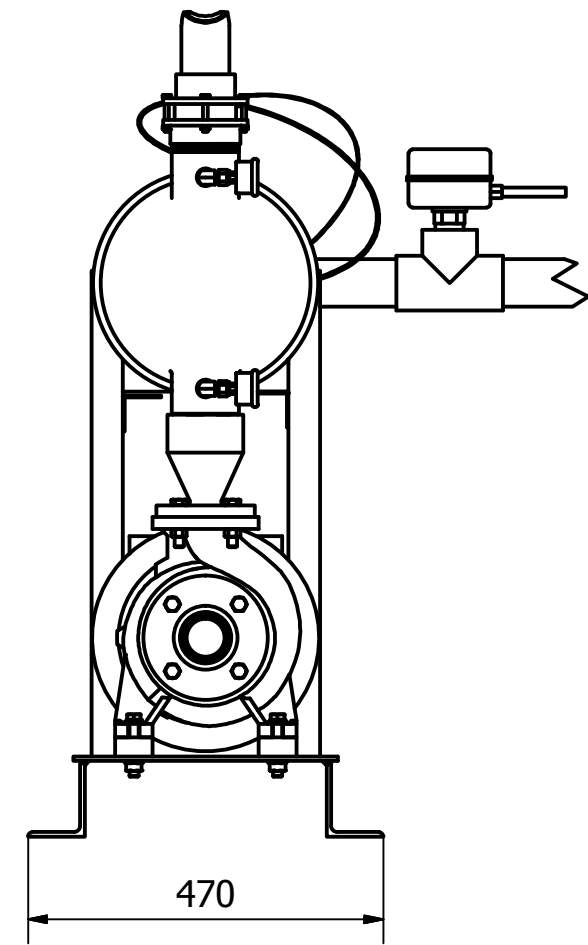
D
C
B
A



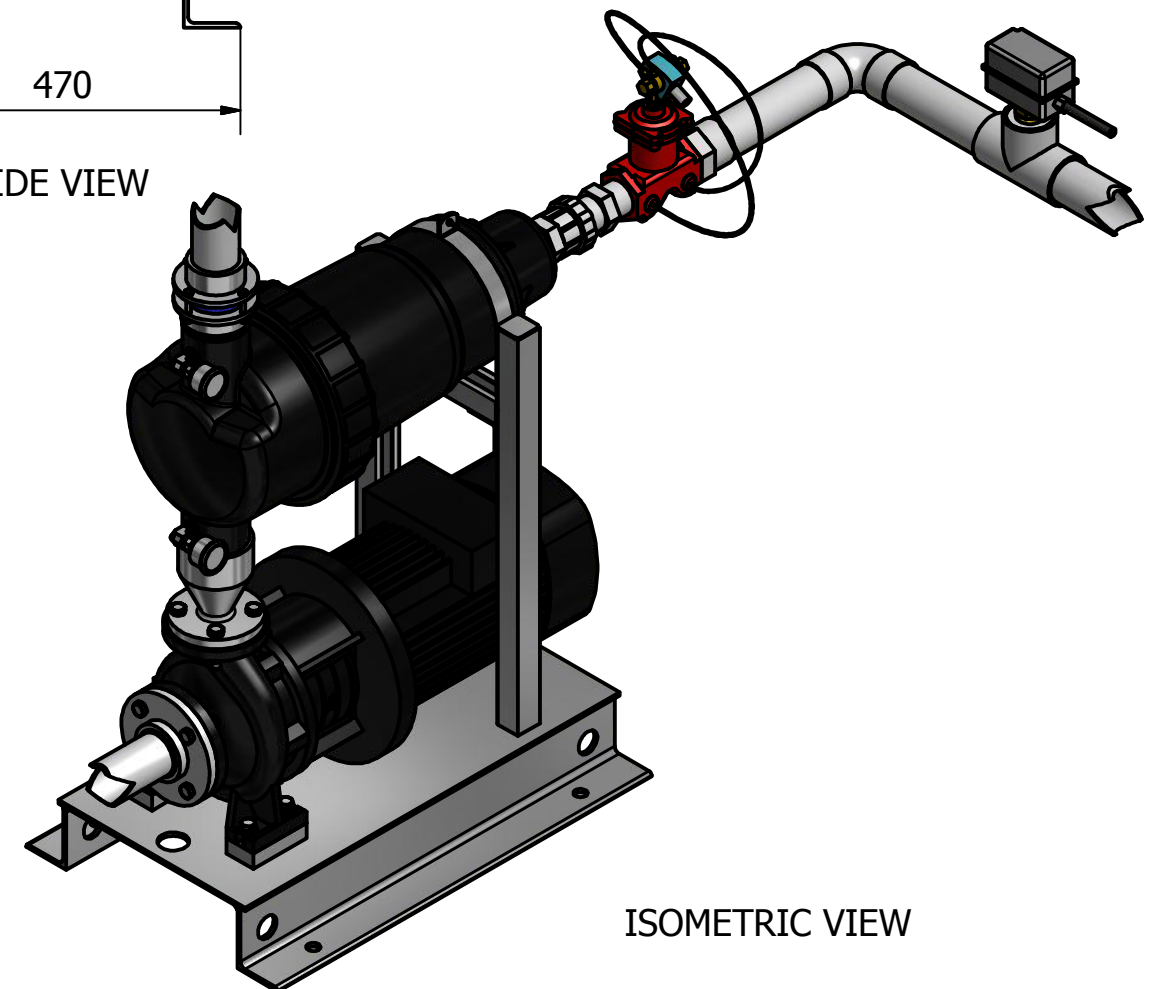
FRONT VIEW




TOP VIEW



SIDE VIEW



ISOMETRIC VIEW

| | | | | | |
|---|------------|-------------|-------------|-------------------|--|
| Designed by SAM | Checked by | Approved by | Date | Date 23-May-14 | |
|  | | | V-200_5.5kw | | |
| | | | Edition | Sheet 1 / 1 | |

6 1 5 1 4 3 1 2 1 1