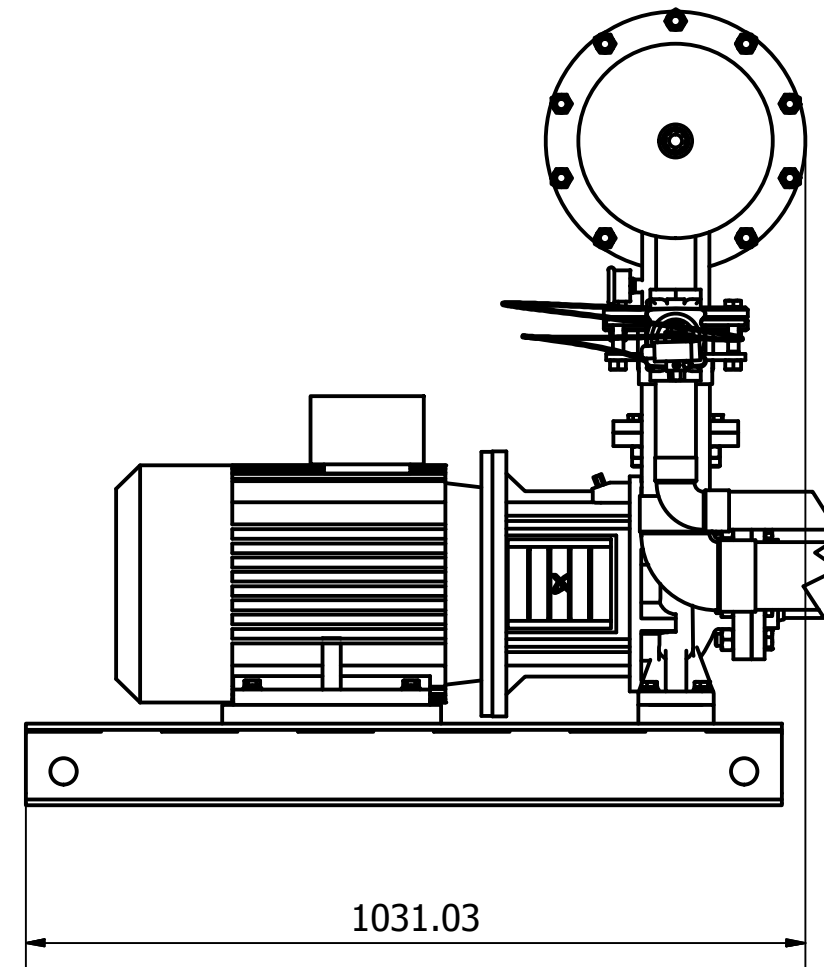
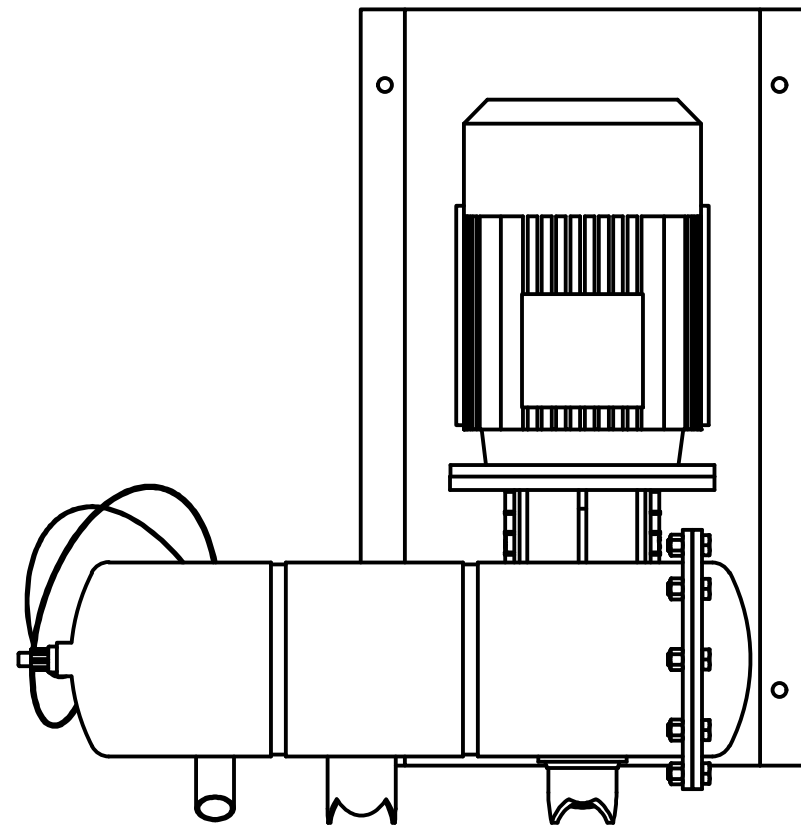


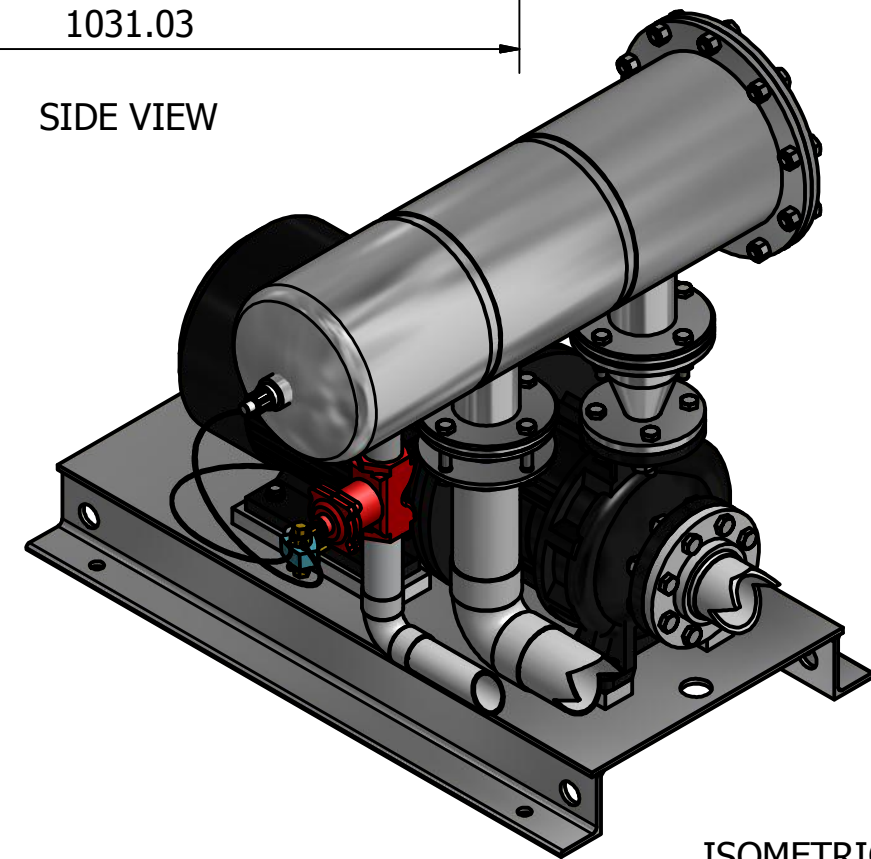
FRONT VIEW




SIDE VIEW



TOP VIEW



ISOMETRIC VIEW

| | | | | | |
|---|------------|-------------|------------|-------------------|----------------|
| Designed by SAM | Checked by | Approved by | Date | Date 23-May-14 | |
|  | | | V-250_11KW | Edition | Sheet 1 / 1 |