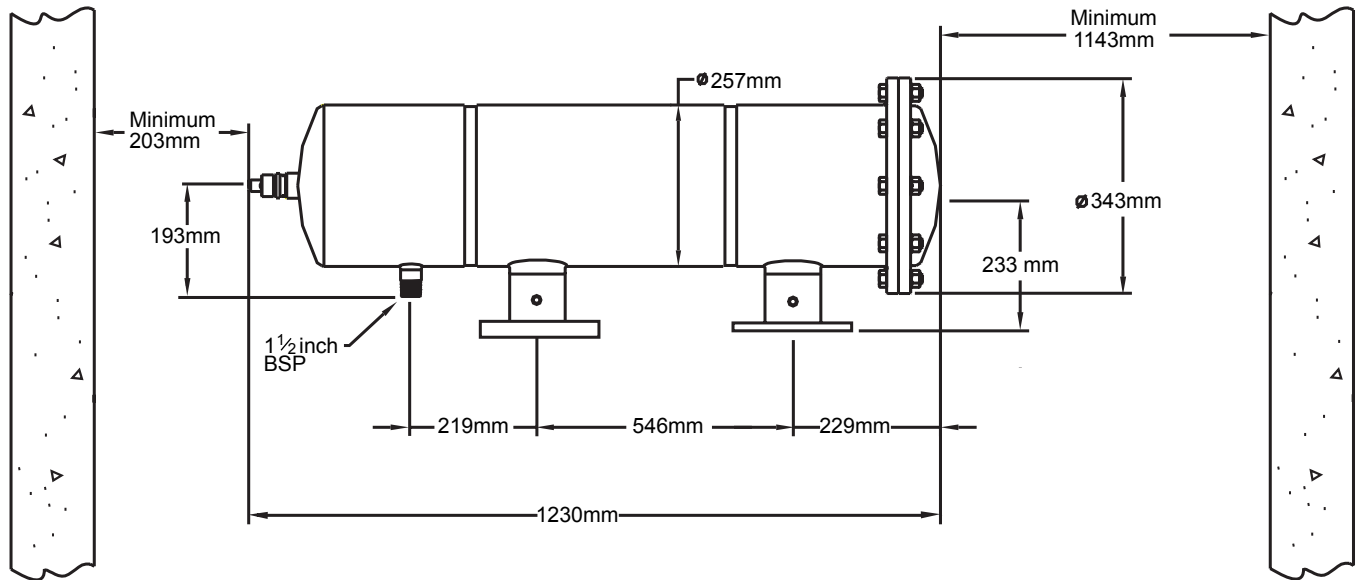




# VAF Automatic Self Cleaning Filters

## V-Series

### Model V-500



Connection & Type	Size
Inlet - Flange	4" - 6" DIN
Outlet - Flange	4" - 6" DIN
Flush Outlet - Threaded	1 1/2" BSP

Flow Rate - Nominal	50 L/s at 300 micron
Maximum Pressure	1035 kPa
Minimum Pressure	205 kPa
Maximum Temperature	80°C
Screen Filtration Degree	10 - 1500 micron
Screen Area	2890 cm <sup>2</sup>
Housing	316L SS
Dry Weight	38kg

June 2012

HydroChem is recognised as the clear market leader in Australia's water services industry. For 35 years we have successfully minimised the risks associated with Water.

We are Australian owned and operated, with over 180 employees across Australia.

HydroChem focuses on innovation and is committed to continuous improvement in quality, service, efficiencies and client relationships.

HydroChem  
1300 558 788  
info@hydrochem.com.au  
www.hydrochem.com.au  
www.industrialfiltration.com.au

