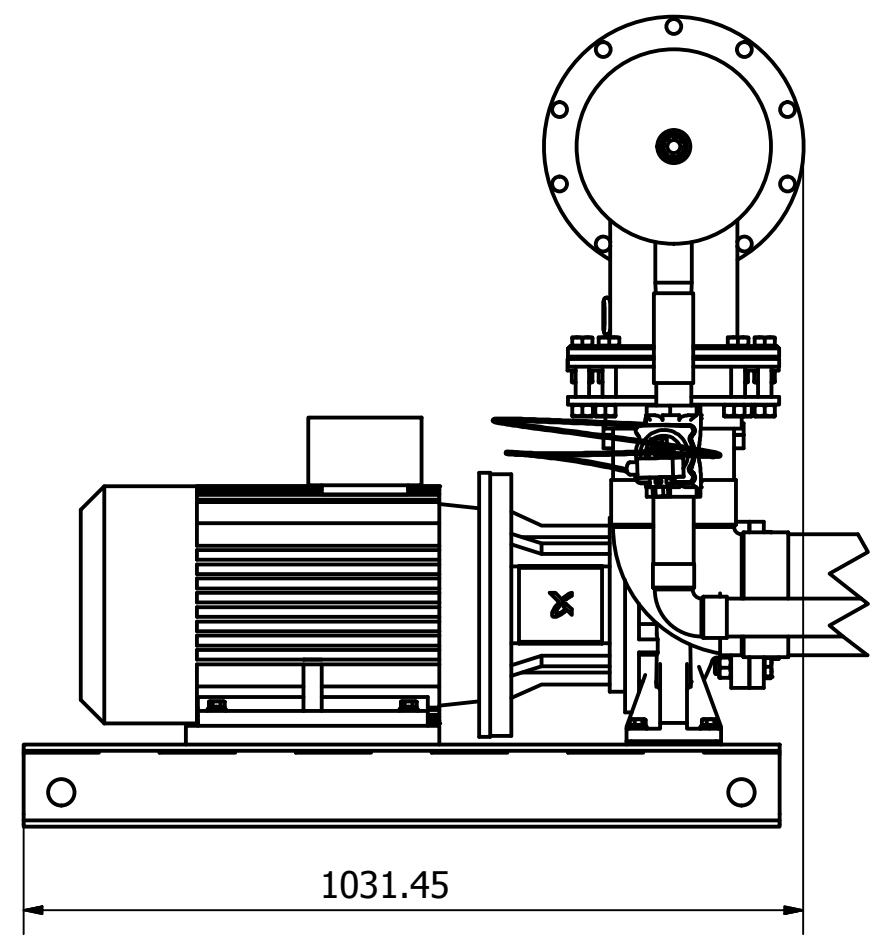
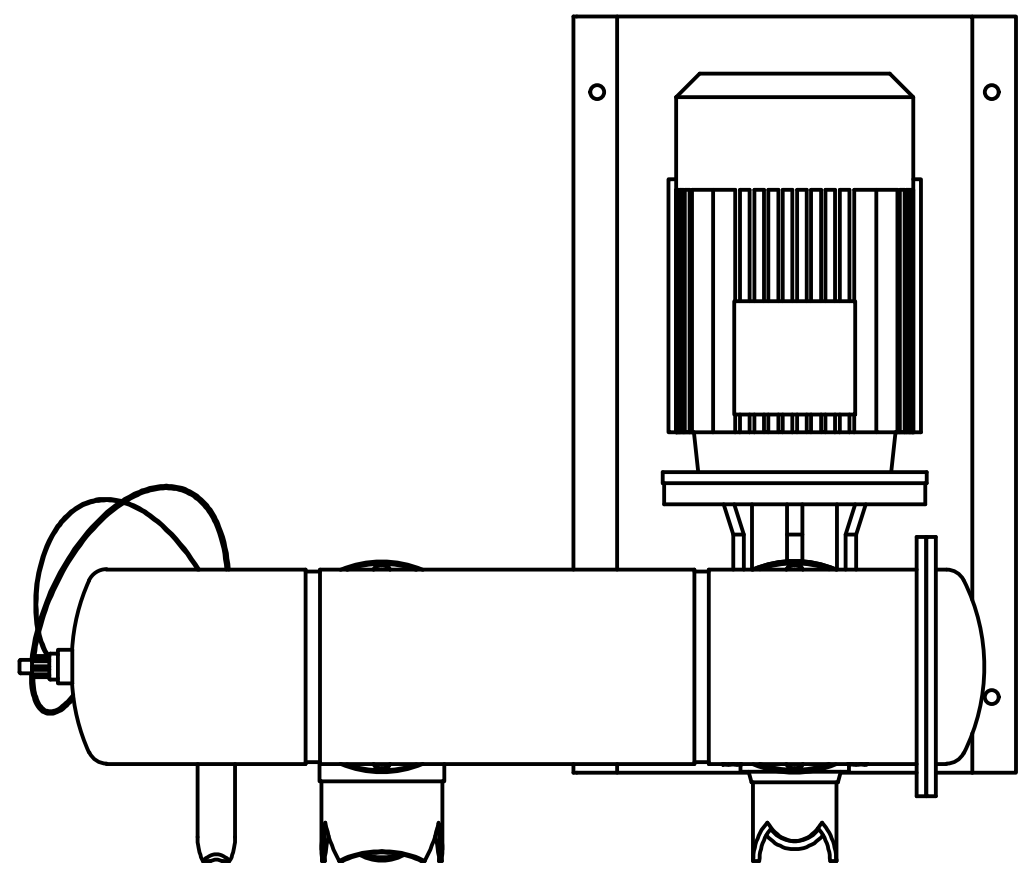


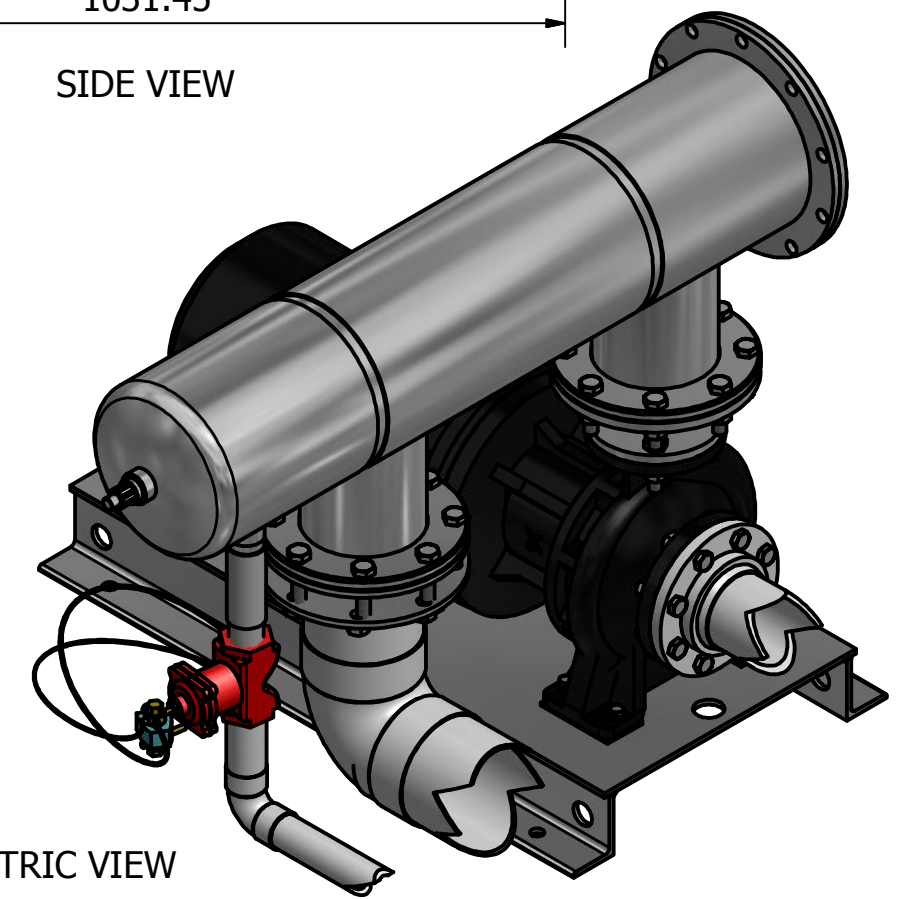
FRONT VIEW




SIDE VIEW



TOP VIEW



ISOMETRIC VIEW

Designed by SAM	Checked by	Approved by	Date	Date 23-May-14	
			V-500_18KW		
			Edition	Sheet 1 / 1	